

McCULLOCH®

PARTNER

ILLUSTRATED PARTS LIST

ELITE 3900 PRO

ELITE 4000 - 4100 - 4100 PRO

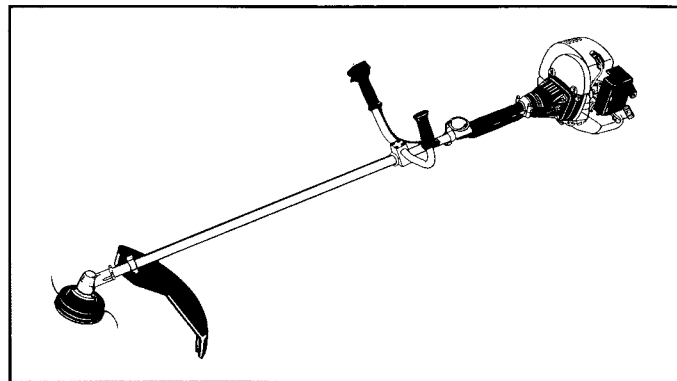
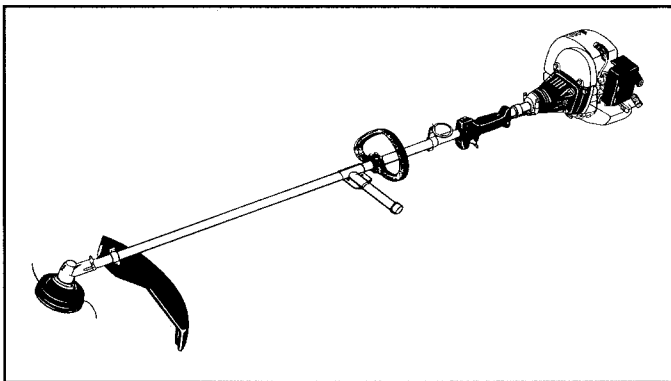
ELITE 4600 - 4700 - 4700 PRO

PARTNER B400 - B470 - B460

PARTNER B3100 - B4100 PRO - B4700 PRO

SERIAL NUMBER PREFIX 01-02

CE



March 2000

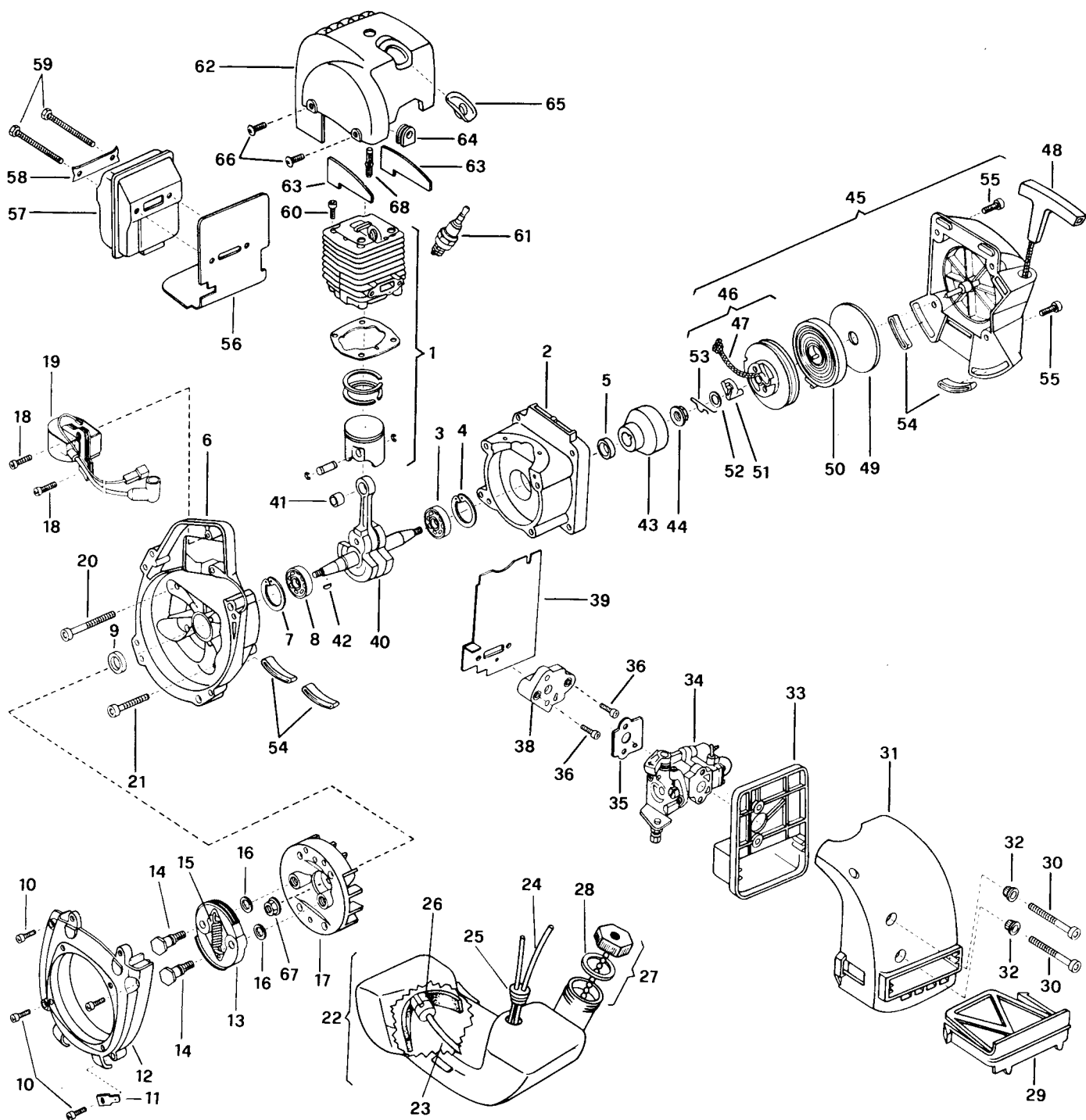


FIGURE 1

C 1	FIGURE 3	21	235804 M5x30	2	C 41	241267 46cc	1	C 57	241432	1	
2	247936	22	241541	1	● 235742 38-40cc	1	58	● 227236	1	● 227236	1
3	● 235900	B 23	● 229809	1	C	227329 46cc	1	59	● 227274 M5x60	2	
4	● 235899	B 24	● 229743	1	C 42	227631	1	60	227565 M5x25	4	
C 5	● 228872	C 25	● 235675	1	43	241223	1	A 61	92879	1	
6	247935	A 26	240452	1	44	235218	1	62	241187 yellow/gallic/zaune/gelb (38-40cc)	1	
7	● 235899	B 27	236563	1	C 45	241283 black/nero/nor/schwarz	1		241430 yellow/gallic/zaune/gelb (46cc)	1	
8	● 235900	A 28	● 236564	1	C	241834 gold/oro/or/gold	1		241829 gold/oro/or/gold (38-40cc)	1	
C 9	● 228872	B 29	241213	1	B 46	● 227194	1		241981 gold/oro/or/gold (46cc)	1	
10	235806 M5x20	30	235808 M5x50	1	A 47	● 227703	1		241416 38-40cc	2	
11	228139	31	241477 yellow/gallic/zaune/gelb	1	48	● 240884	1		236322	1	
12	241279		241589 gold/oro/or/gold	1	49	● 227467	1		63	241416 38-40cc	
B 13	247937	32	● 227924	2	B 50	● 227300	1		64	236322	
14	● 241269	33	241211	1	B 51	● 240492	1		65	241241	
C 15	● 241270	C 34	FIGURE 5		B 52	● 227470	1		66	240688 M5x14	
16	● 236956	A 35	241281	1	53	● 240485	1		67	235218	
17	241240	36	235806 M5x20	2	54	241248	4		68	94273 46cc	
18	235806 M5x20	C 38	241481	1	55	236527 M6x16	4				
C 19	241298	C 39	241428	1	C 56	241280 38-40cc	1				
20	235808 M5x50	40	241266 38-40cc	1	C	241414 46cc	1				

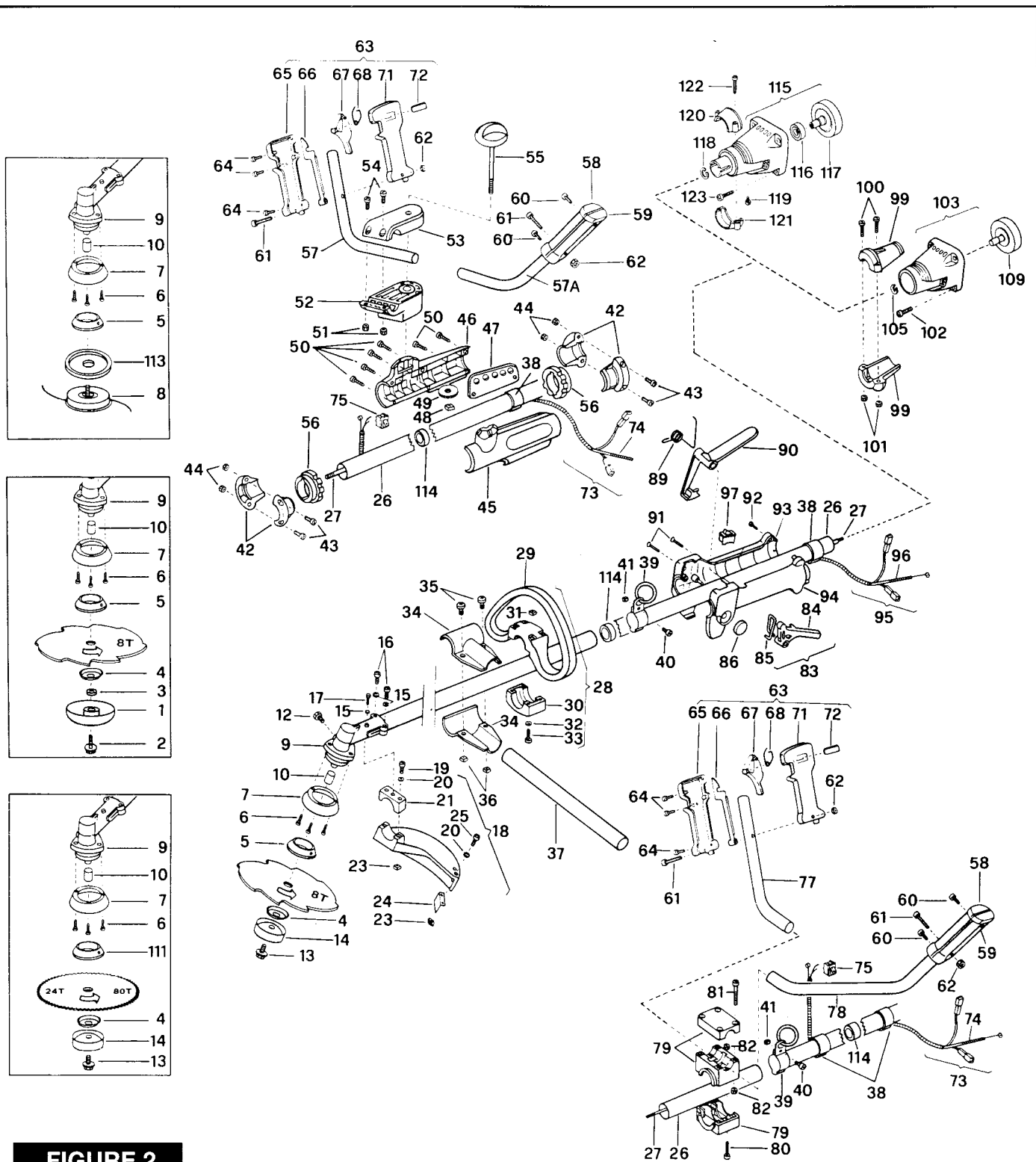


FIGURE 2

A	1	240809	1	24	224497-01	1	45	240942	yellow/gold/ame/gelt	1	63	241406	1	86	241297	1
A	2	240806	1	25	235802 M5x14	2	46	241742	gold/oro/ori/gold	1	64	240833	5	89	240043	1
A	3	240807	1	26	240830	1	47	240941	yellow/gold/ame/gelt	1	65	241293	1	90	240041	1
A	4	229834	1	27	229829	4	48	241742	gold/oro/ori/gold	1	66	229820	1	91	240617	2
A	5	229833	1	28	236999	1	49	240966		1	67	241295	1	92	240618	4
A	6	240688 M5x14	3	29	236808	1	50	241003		1	68	240091	1	93	240039	1
B	7	240767	1	30	236809	1	51	241004		1	69	240092	1	94	240040	1
A	8	FIGURE 4		31	236642	4	52	241002		6	70	241292	1	95	241440	1
A	9	240824	1	32	236936	4	53	235216		2	71	241410	1	C 96	241441	1
A	10	247272	1	33	228320 M6x45	4	54	240967		1	72	241424	1	C 97	236394	1
A	11	240151 M8x10	1	34	240682	2	55	240968		1	73	236394	1	99	240935	2
A	12	229842 M10x16	1	35	235911 M6x12	2	56	240968		2	74	229831	1	100	235530 M5x35	2
A	13	236596	1	36	236642	2	57	227563 M5x16		2	75	229832	1	101	229208	2
A	14	236596	1	37	246864	1	58	240971		1	76	240017	1	102	236527 M6x16	4
A	15	236529	3	38	229849	2	59	240970		2	77	240017	1	103	240905 38cc	1
A	16	235804 M5x30	2	39	236602	1	60	241971		1	78	235921 M6x30	2	104	236378	1
A	17	236381 M5x10	1	40	235911 M6x12	1	61	241972		1	79	236558 M6x40	4	105	236378	1
B	18	247209	1	41	236642	1	62	229985		1	80	235912	6	C109	227284	1
A	19	235806 M5x20	2	42	240969	4	63	229984		1	81	241439	1	A111	240936	1
A	20	235248	4	43	227563 M5x16	4	64	240833		2	82	240042	1	113	241155	1
A	21	240870	1	44	235216	4	65	235804 M5x30		2	83	240592	1	114	236383	5
A	22	236732	4				66	235216		2	84	240042	1			
							67				85	235932	1			

A = high moving - alta rotazione - haute demande - große Nachfrage B = medium moving - media rotazione - moyenne demande - mittelmäßige Nachfrage C = slow moving - bassa rotazione - basse demande - wenige Nachfrage

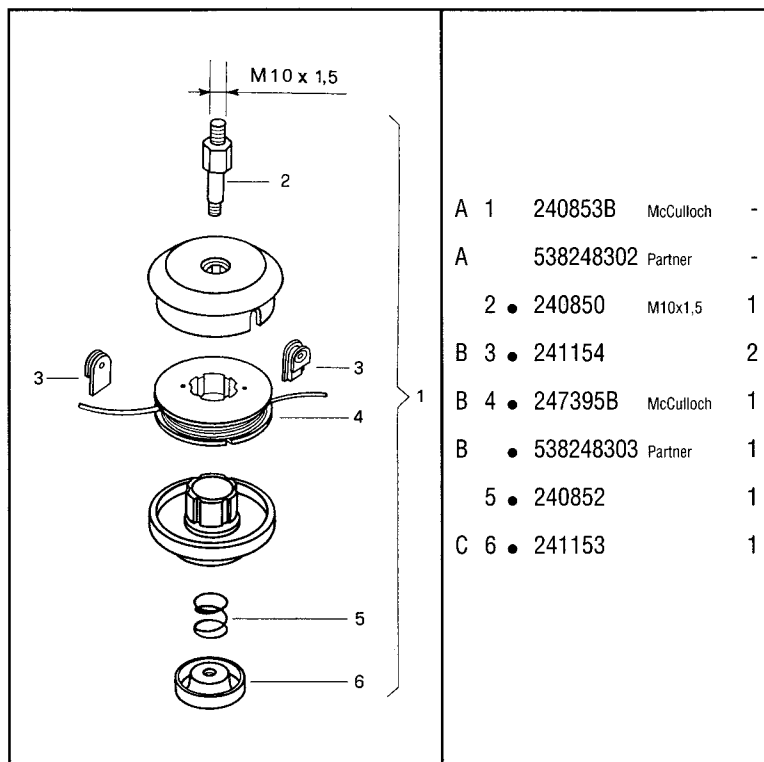
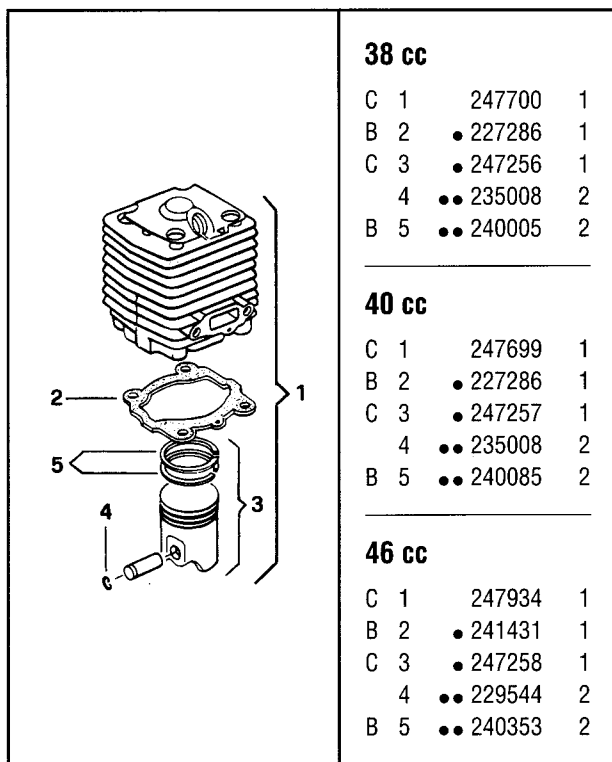
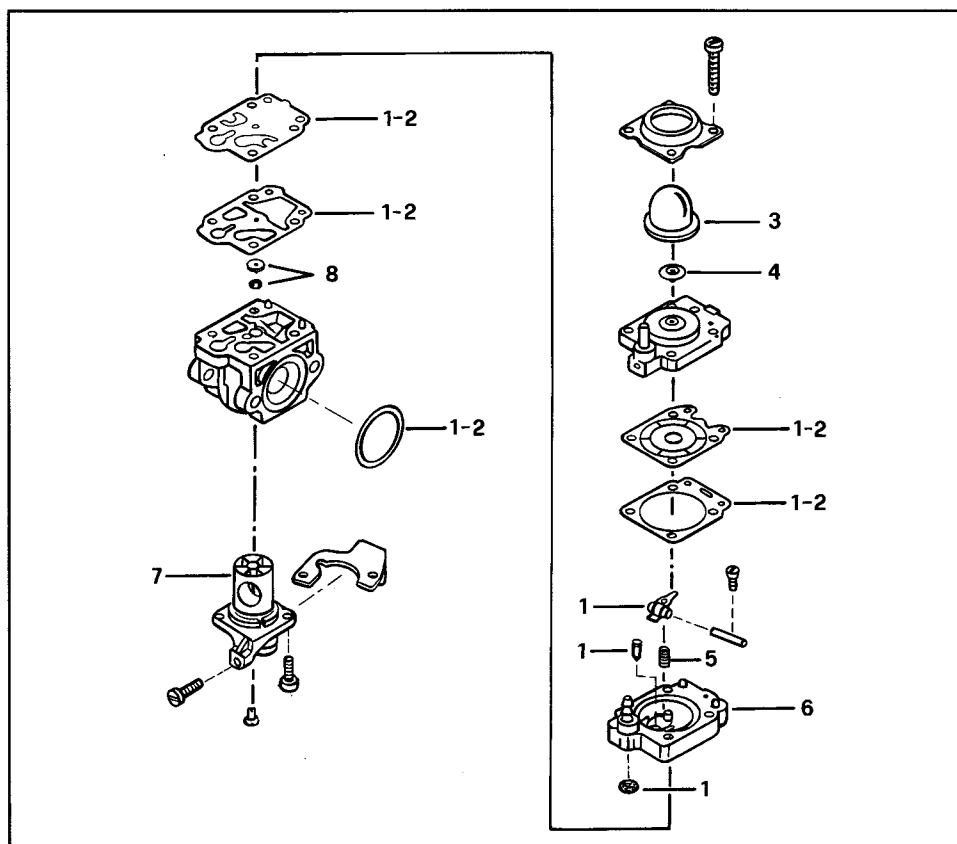


FIGURE 3

FIGURE 4



WALBRO WYJ 183A (38-40 cc)

WALBRO WYJ 208 (46 cc)

C -	241268	carbur.
B 1	● 247955	1
A 2	●● 247956	1
C 3	● 225834	1
C 4	● 247957	1
C 5	● 247958	1
C 6	● 247962	1
C 7	● 247961	1
C 8	● 247959 (43)	1

C -	241476	carbur.
B 1	● 247955	1
A 2	●● 247956	1
C 3	● 225834	1
C 4	● 247957	1
C 5	● 247958	1
C 6	● 247962	1
C 7	● 247961	1
C 8	● 247960 (46)	1

FIGURE 5

A = high moving - alta rotazione - haute demande - große Nachfrage
 B = medium moving - media rotazione - moyenne demande - mittelmäßige Nachfrage
 C = slow moving - bassa rotazione - basse demande - wenige Nachfrage